

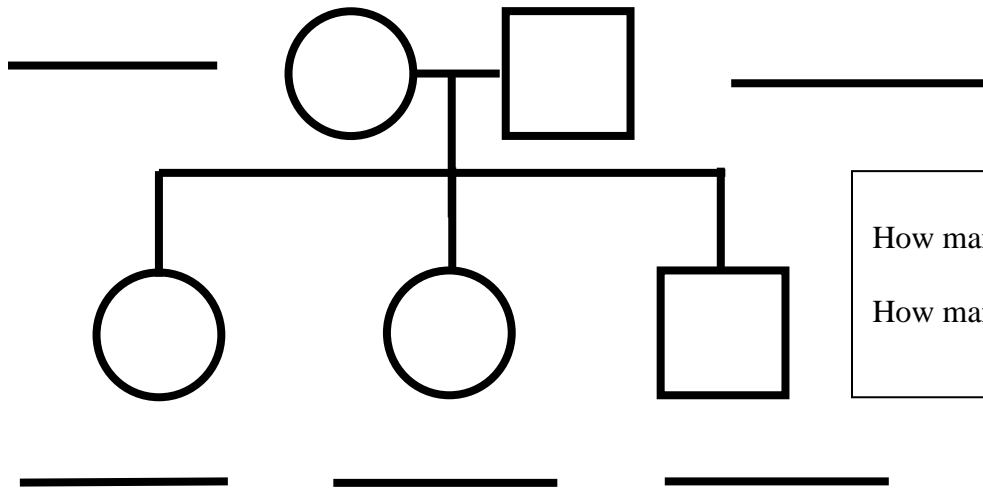
**Pedigree Notes**

Name: \_\_\_\_\_

1. **Pedigree:** a diagram that traces \_\_\_\_\_ through several generations of a family.

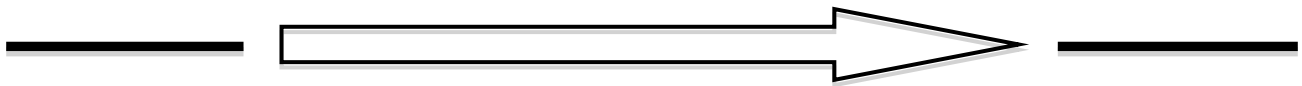


Example #1



How many girls? \_\_\_\_\_

How many boys? \_\_\_\_\_



2. A horizontal line connecting two shapes represents a \_\_\_\_\_/\_\_\_\_\_.

3. How many crosses/marriages in the pedigree below? \_\_\_\_\_

4. A \_\_\_\_\_ line extending down from a marriage/cross represents that the couple \_\_\_\_\_.

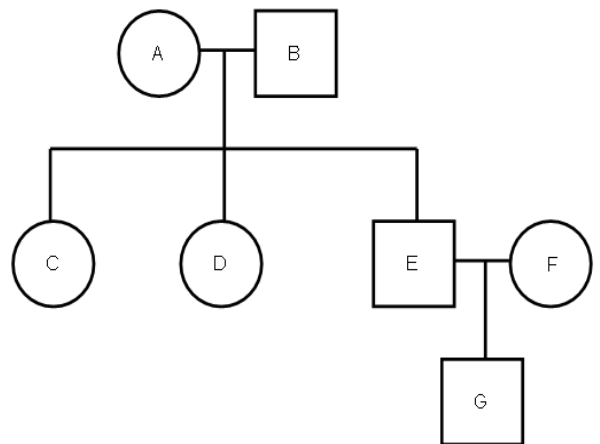
5. **A** and **B** are \_\_\_\_\_.

6. **E** and **F** are \_\_\_\_\_.

7. **A** and **B** have \_\_\_\_\_ kids, while **E** and **F** have \_\_\_\_\_ kid(s).

8. What is **F** to **D**? \_\_\_\_\_.

9. What is **B** to **G**? \_\_\_\_\_.



**Example #2**